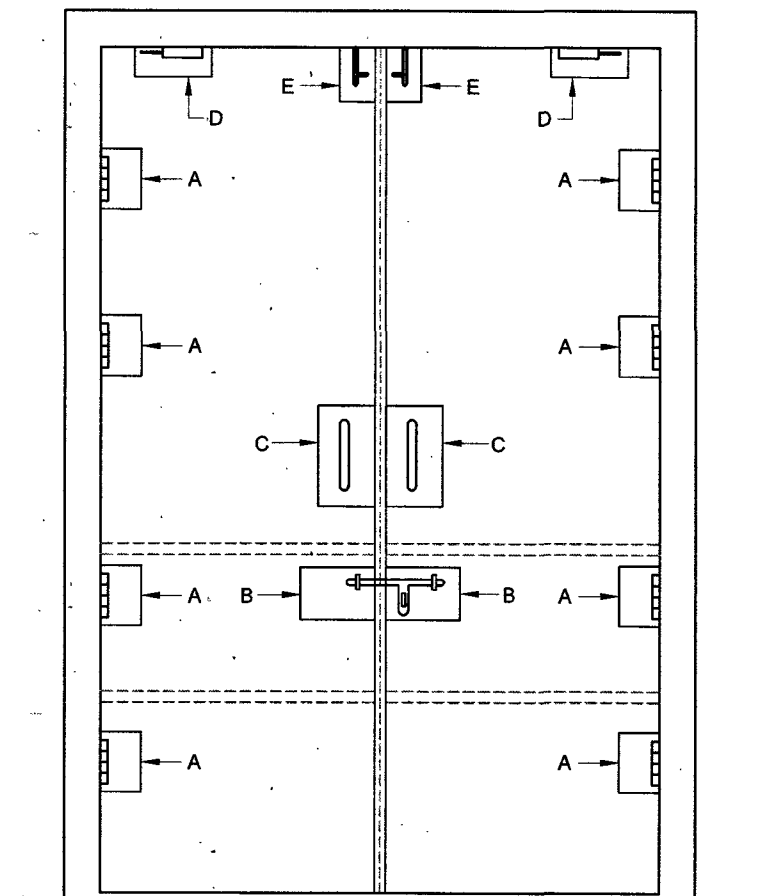


ELEVATION



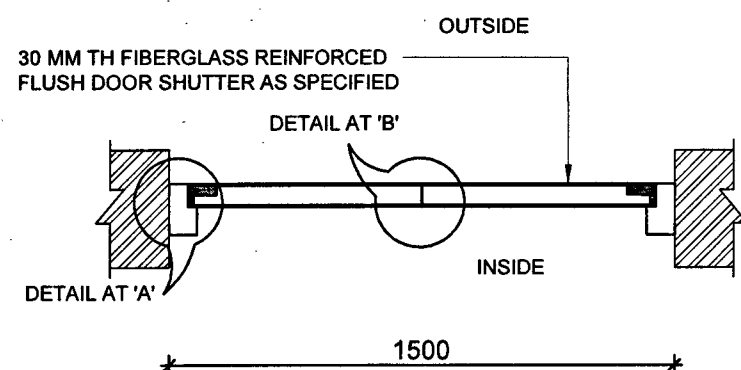
ELEVATION SHOWING PLACEMENT OF WOODEN BLOCKS FOR FIXING OF FITTINGS

BLOCK	SIZE
A	100X150X24MM
B	200X180X24MM
C	200X300X24MM
D	250X100X24MM
E	100X250X24MM

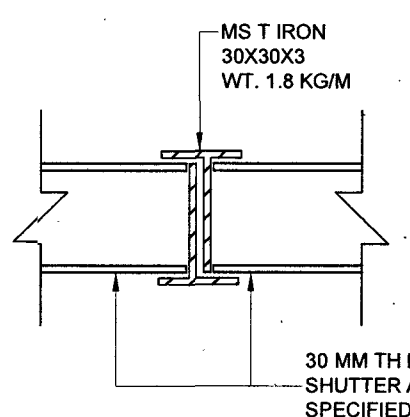
NOTES:

- CONTRACTOR TO CHECK & VERIFY ALL DIMENSIONS BEFORE TAKING EXECUTION OF THE WORK.
- FIGURED DIMENSIONS SHALL BE FOLLOWED.
- ALL DIMENSION ARE GIVEN IN MILLIMETERS UNLESS OTHERWISE STATED.
- 30 MM THICK FIBERGLASS REINFORCED PLASTIC (F.R.P.) FLUSH DOOR SHUTTER IN DIFFERENT PLAIN AND WOOD FINISH MADE WITH FIRE RETARDANT GRADE UNSATURATED POLYESTER RESIN, MOULDED TO 3 MM THICK FRP LAMINATE ALL AROUND, WITH SUITABLE WOODEN BLOCKS INSIDE AT REQUIRED PLACES FOR FIXING OF FITTINGS AND POLYURETHANE FOAM (PUF)/POLYSTYRENE FOAM TO BE USED AS FILLER MATERIAL THROUGHOUT THE HOLLOW PANEL, CASTED MONOLITHICALLY WITH TESTING PARAMETERS OF F.R.P. LAMINATE CONFORMING TO TABLE 3 OF IS: 14856 COMPLETE ALL AS SPECIFIED BY THE MANUFACTURER AND AS PER DIRECTIONS OF ENGINEER- IN-CHARGE.

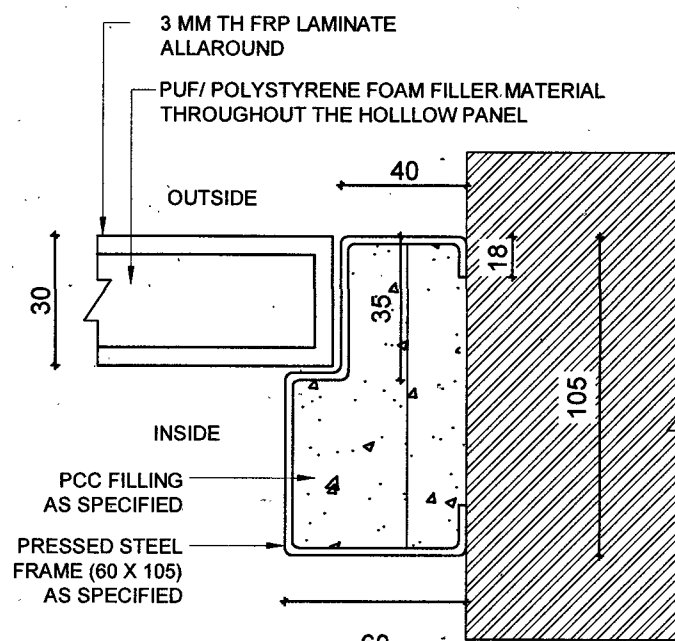
ARCH DRAWINGS PREPARED UNDER CONSULTANCY BY M/S THE DESIGN FACTORY, 293, CHHOTI BARANDARI PART-1, JALANDHAR, PUNJAB. THE SAME ARE SIGNED BY US AS PER E-IN-C'S BRANCH POLICY LETTER NO.09/2017 ISSUED UNDER E2 WORKS (P) SUB DTE, DTE OF WORKS, LETTER NO. A/00157/23-1/POL/E2W(P) DATED 02 JULY 2017



PLAN: FRD -15



DETAIL AT 'B'



DETAIL AT 'A'

SCHEDULE OF FITTINGS							
TYPE OF DOOR	SS BALL HINGES 100 LONG	TOWER BOLT 10 DIA 200 LONG	SS HANDLE 250 LONG	DOOR STOPPER	MS HOLD FAST	ALDROP BOLT	DOOR CLOSER
FRD15	8	1	4	2	6	2	2

SL NO	DATE	DESCRIPTION	INITIAL

REVISION			

DETAILS OF FIRE RETARDANT DOORS			
DATE	13/03/2025	CHIEF ENGINEER	SHEET NO
DRAWN		JALANDHAR ZONE	01
CHKD			01
SCALE	AS SHOWN	DRG NO : CEJZ / TD-97 / 2025	

CONSULTANTS:

 THE DESIGN FACTORY
 293 CHHOTI BARANDARI PART 1 - JALANDHAR +91 9876602946 thedesignfactory7@gmail.com

 DIRECTOR (ARCH) / CHIEF ENGINEER